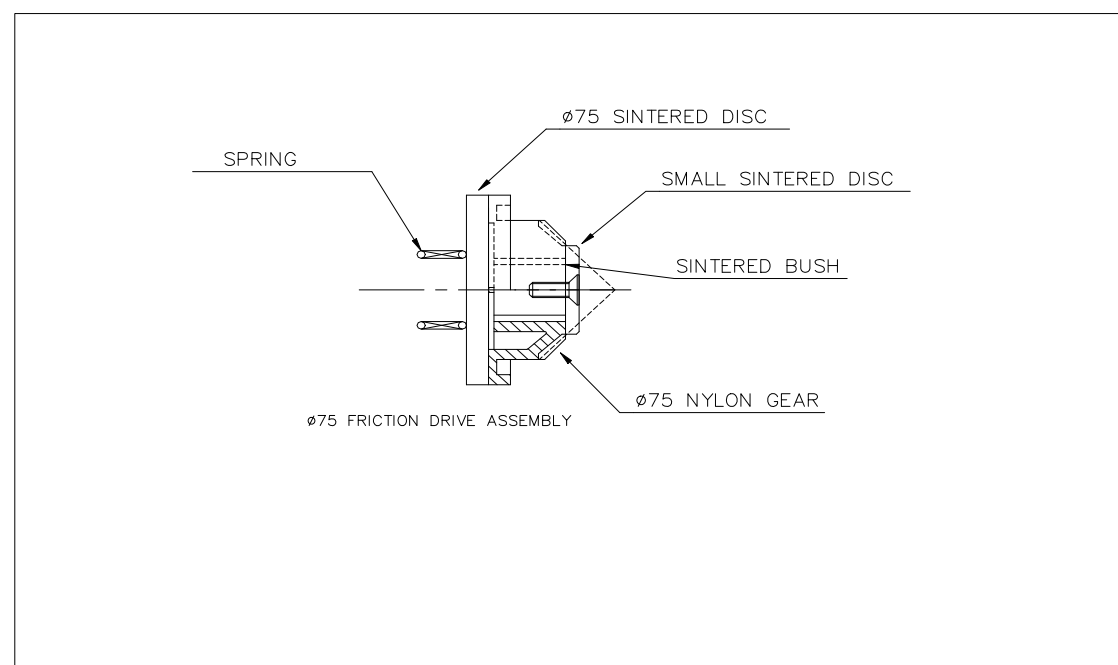


EQUIPMENT DATA SHEET - 1

**POWERED ROLLER CONVEYOR
STANDARD FICTION SIDE DRIVE ASSEMBLY**

- Components produced from authentic tooling.
- Component parts manufactured from nylon and sintered steel.
- Friction Assembly supplied in two sizes dependant on pallet transfer weight.
- Three types of extrusion, small single, large single and twin wall for Heavy Duty Applications.



FRICTION DRIVE ASSEMBLY

